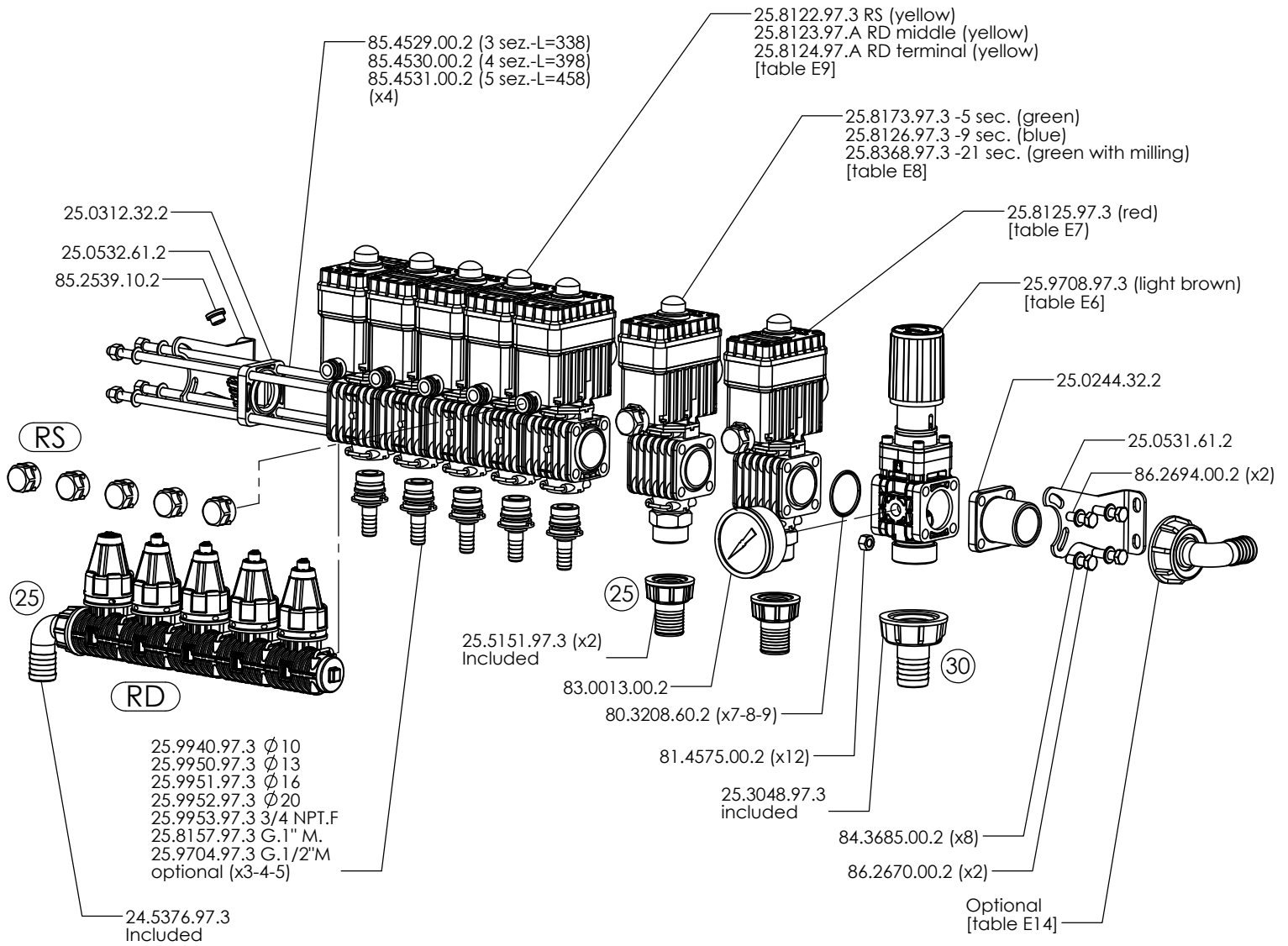


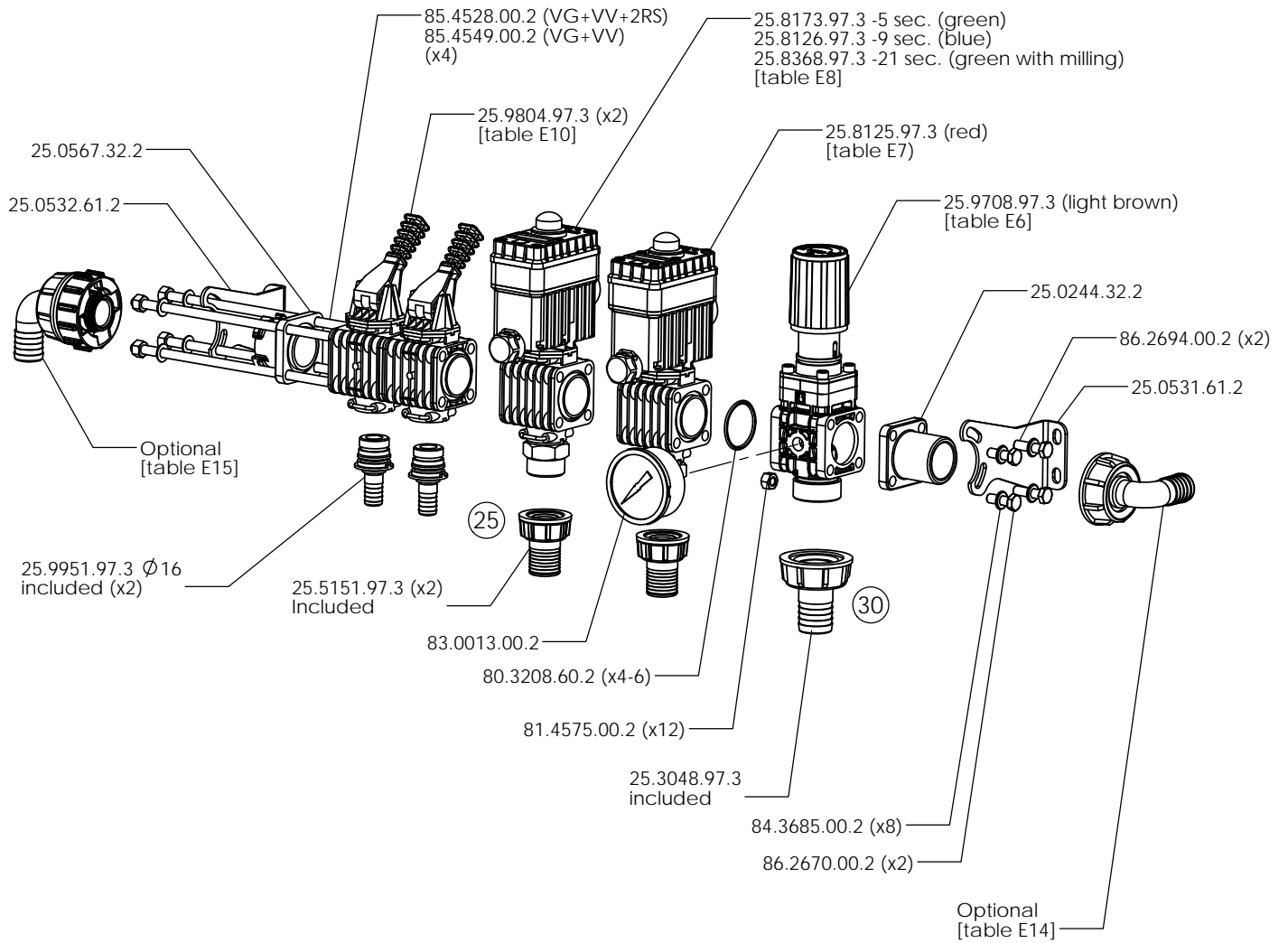
Motorized units low pressure (RS/RD)

Use: /



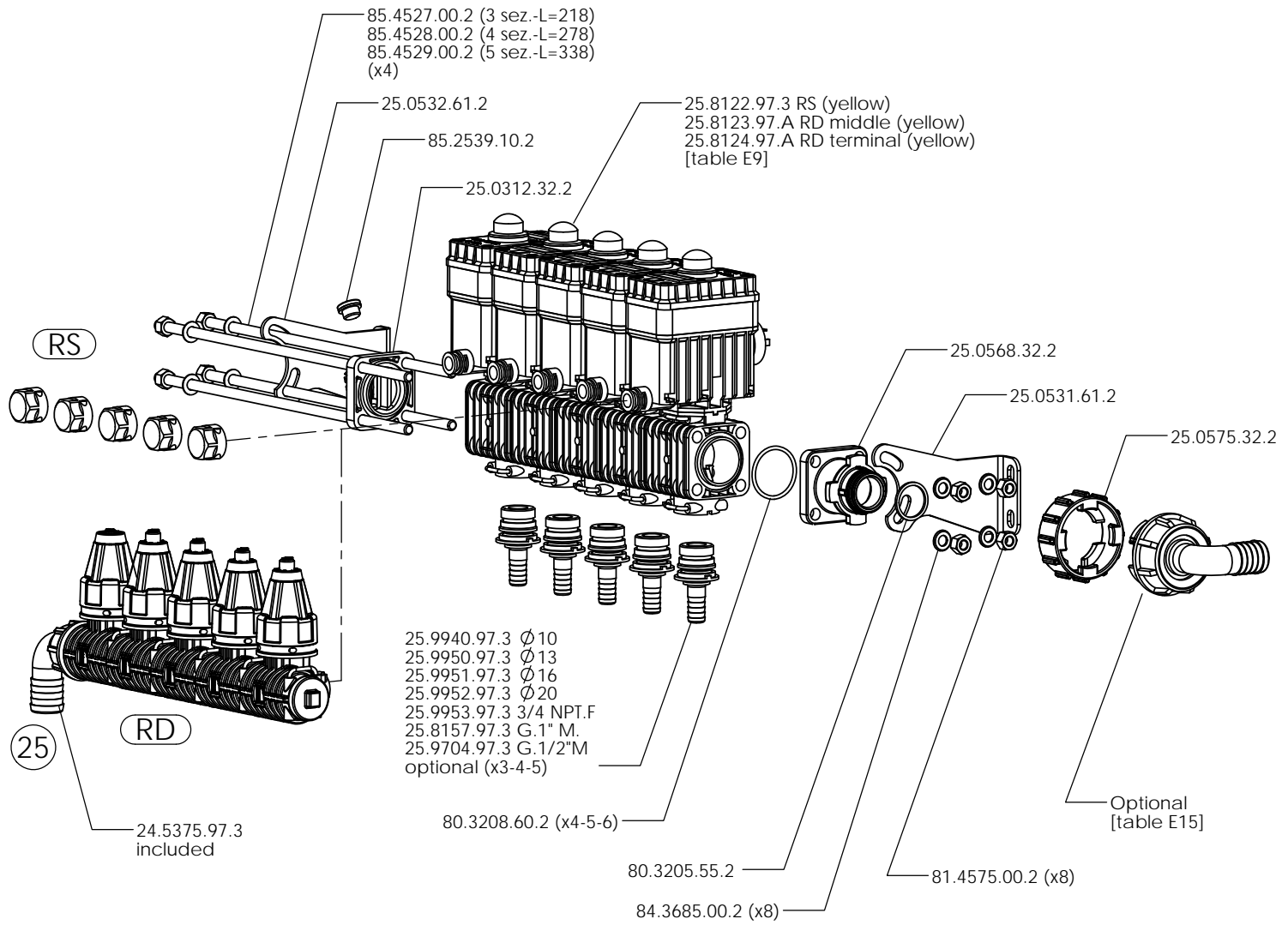
Motor-powered regulating unit

Use: /



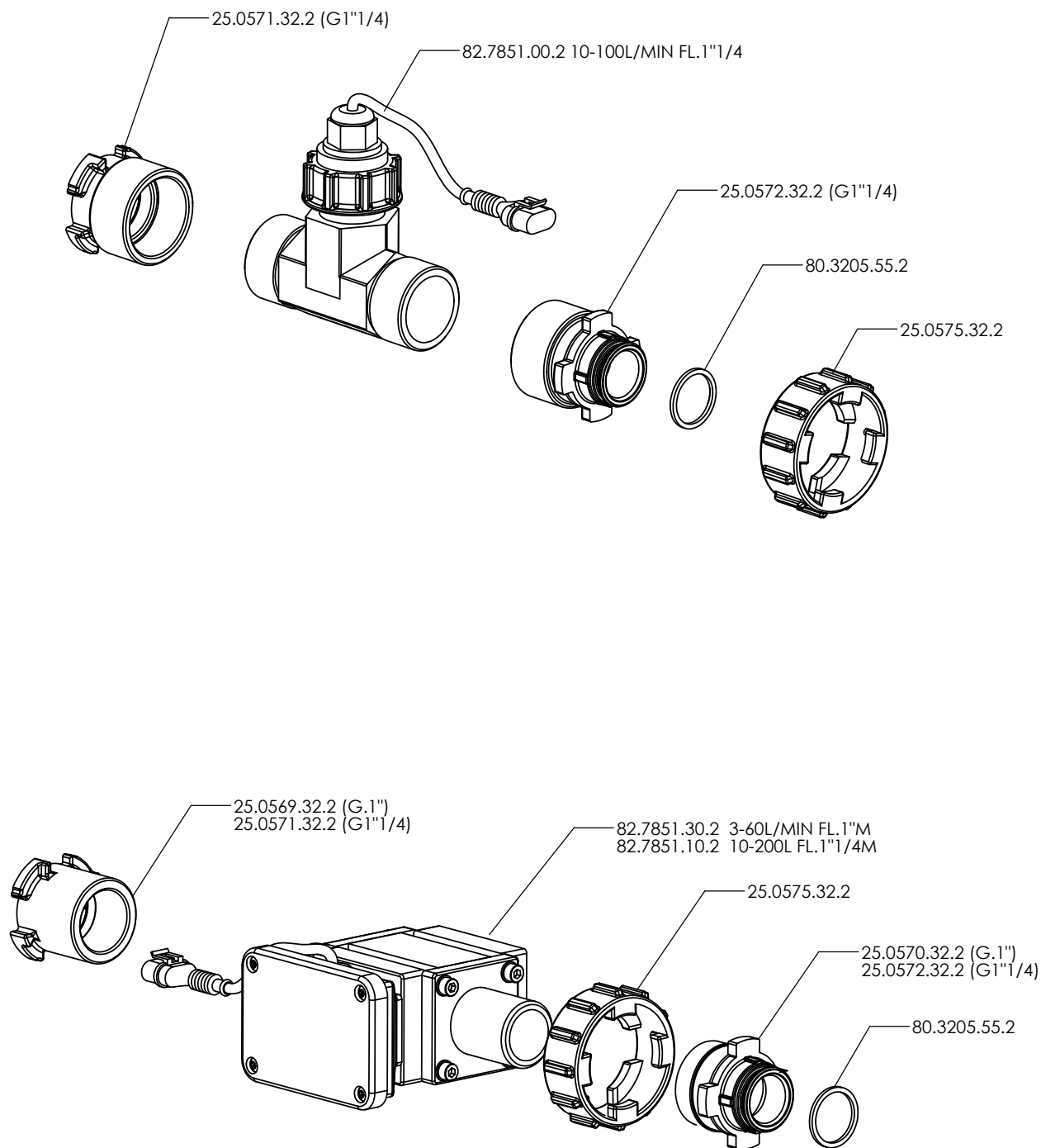
Motor-powered sections valves assemblies (RS/RD)

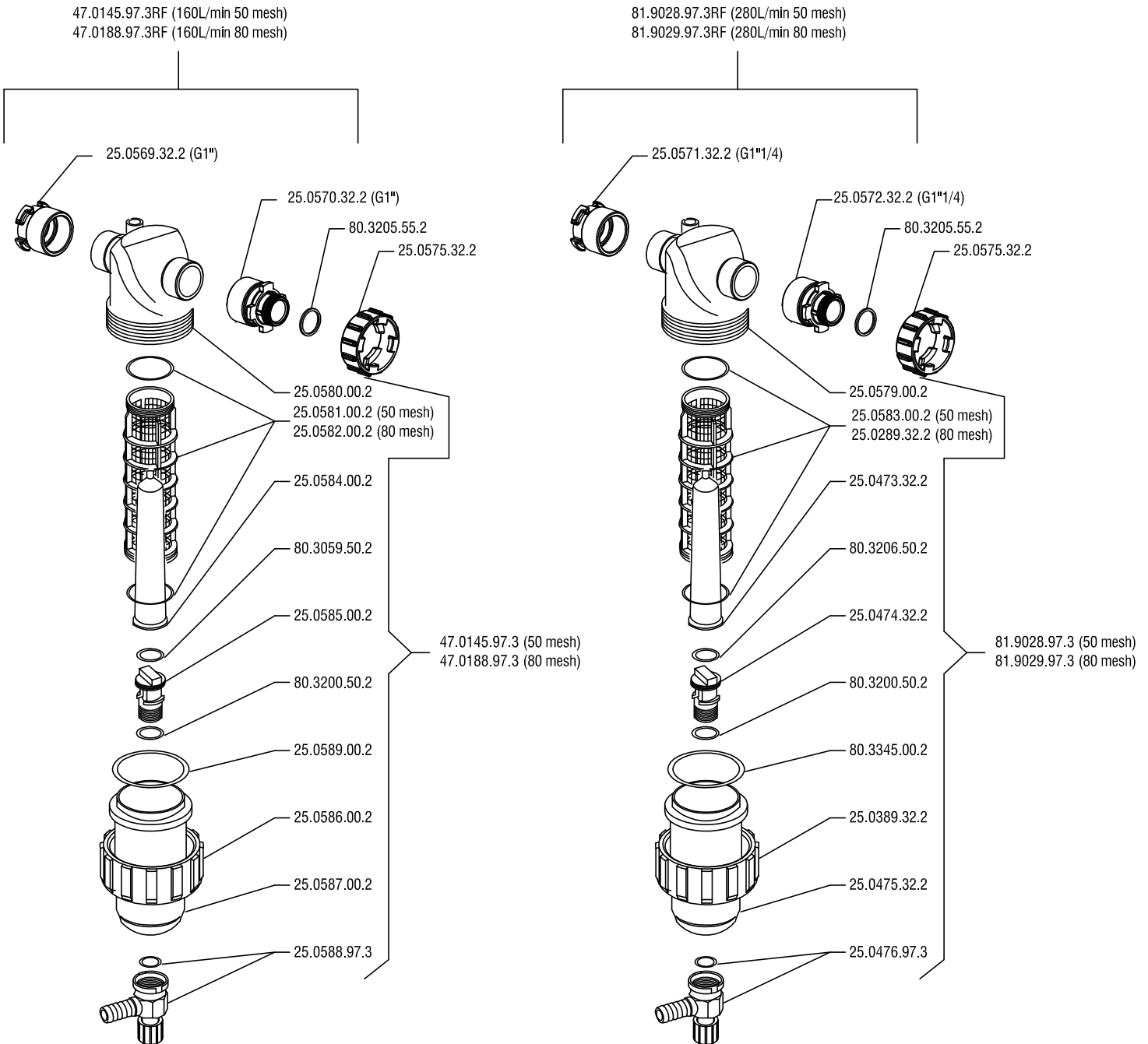
Use: /



Flowmeter

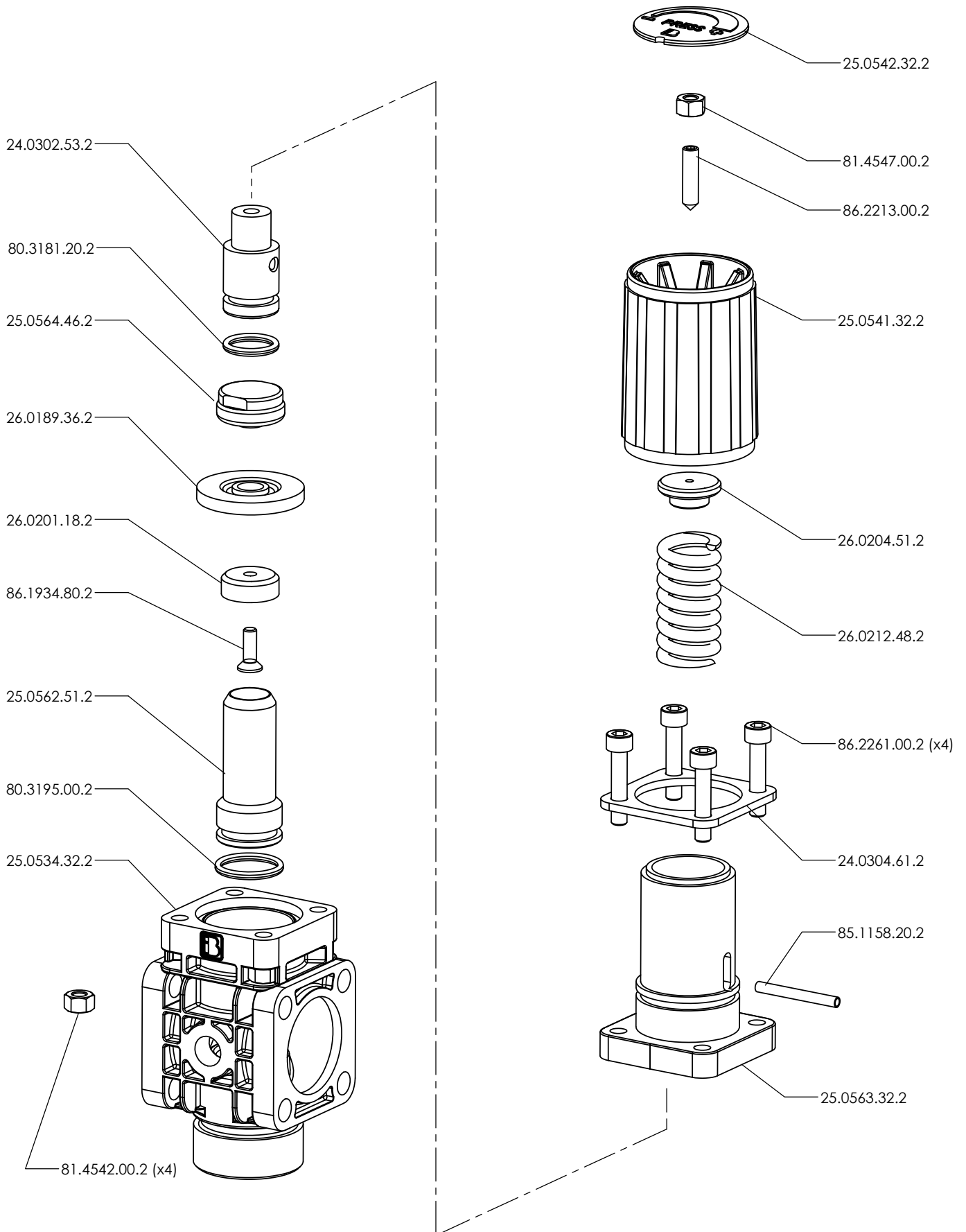
Use: **E2-E3**

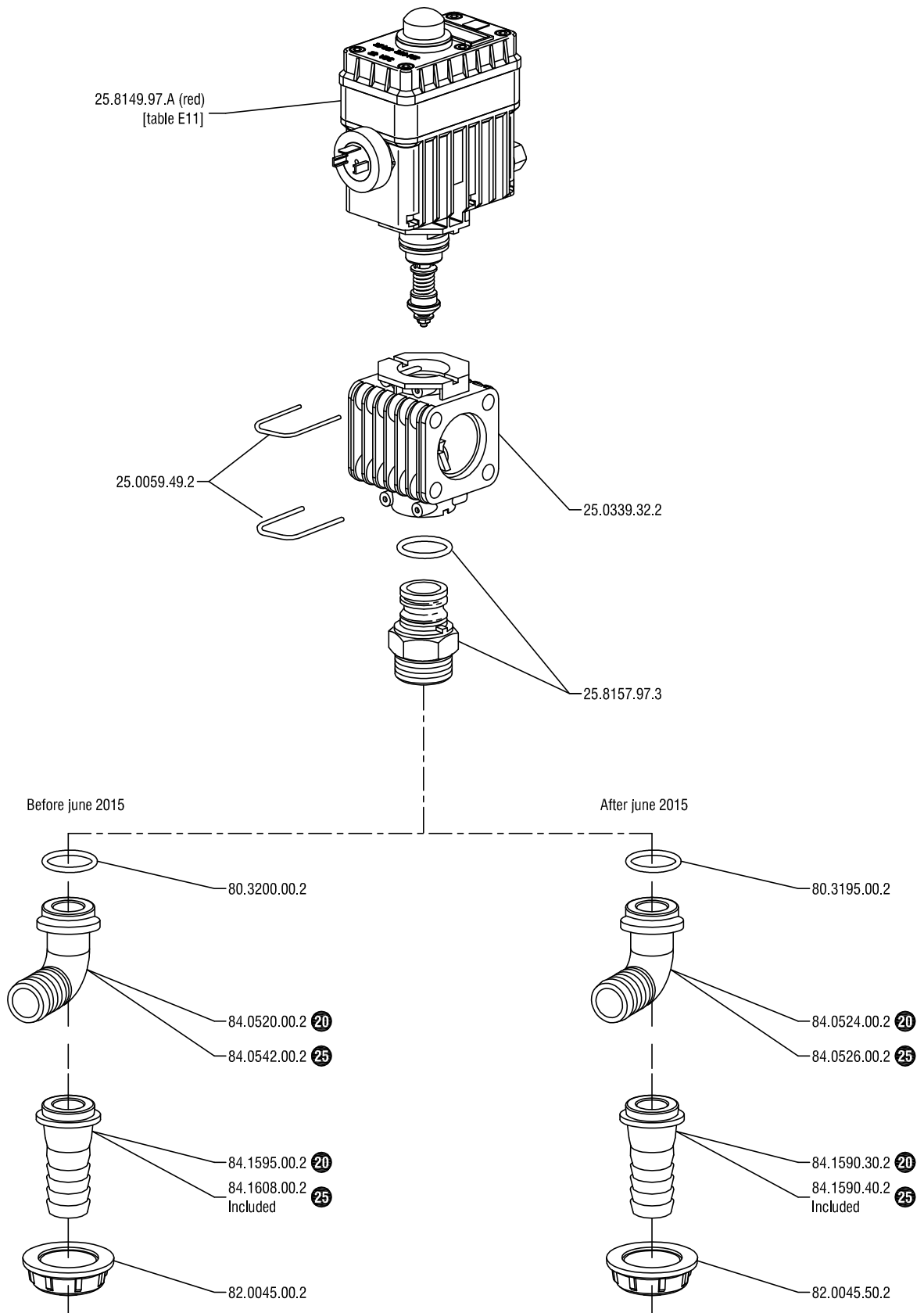




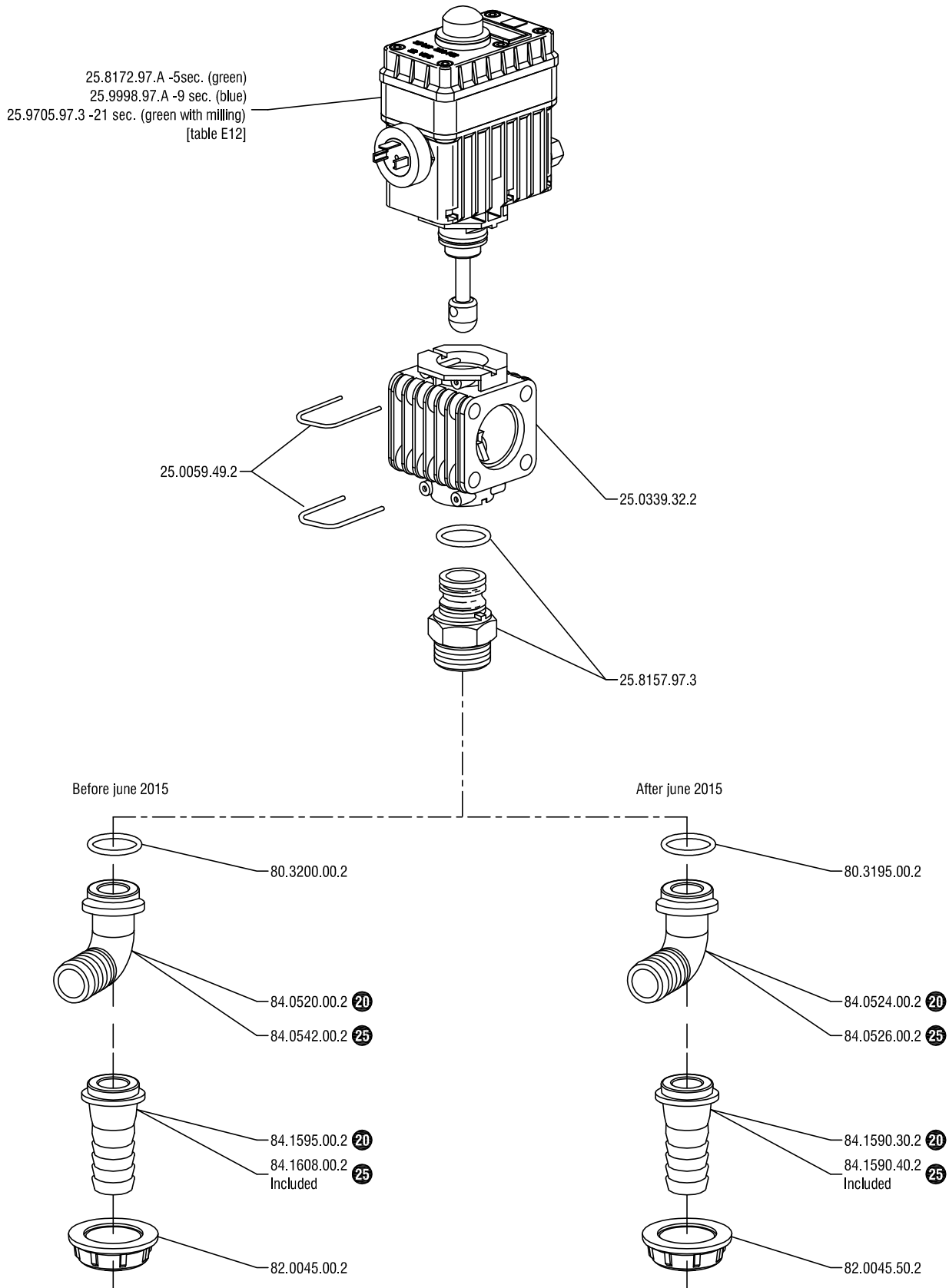
Pressure relief valve low pressure

Use: **E1-E2**





Motor powered volumetric valve (VPBPE)

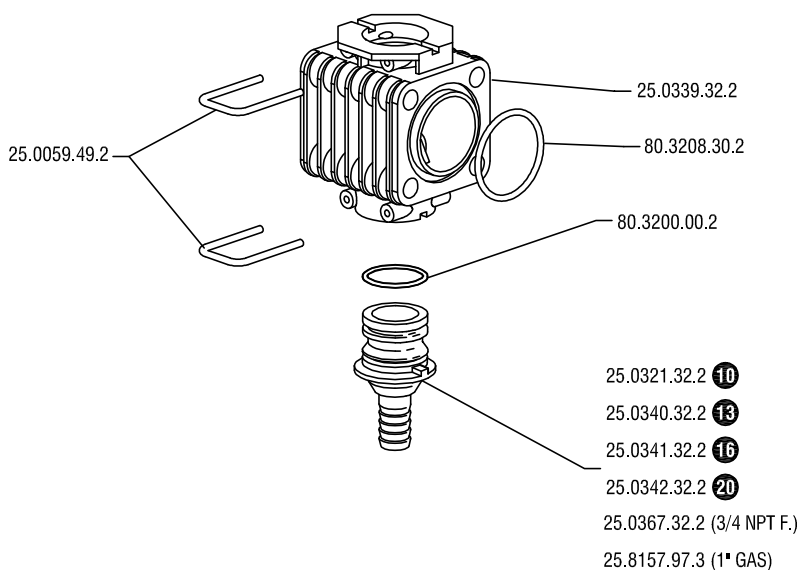
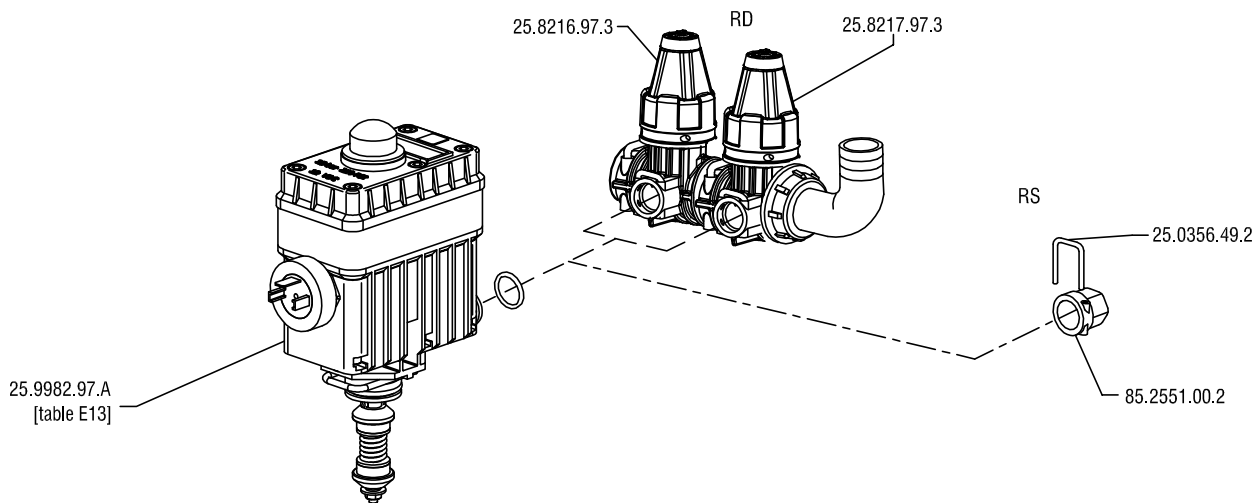
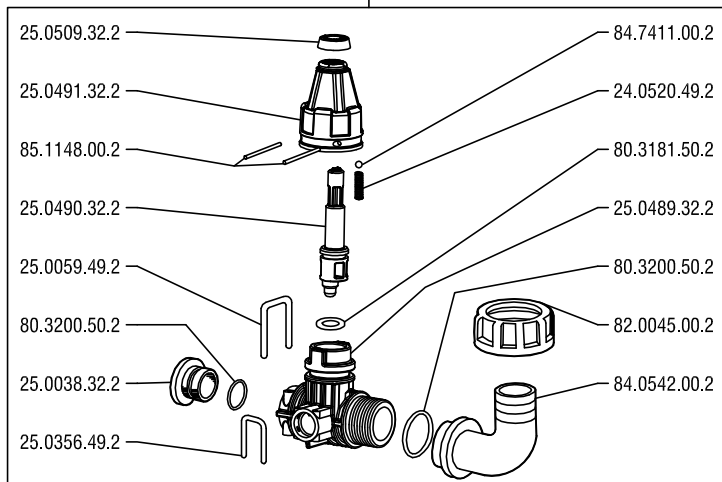
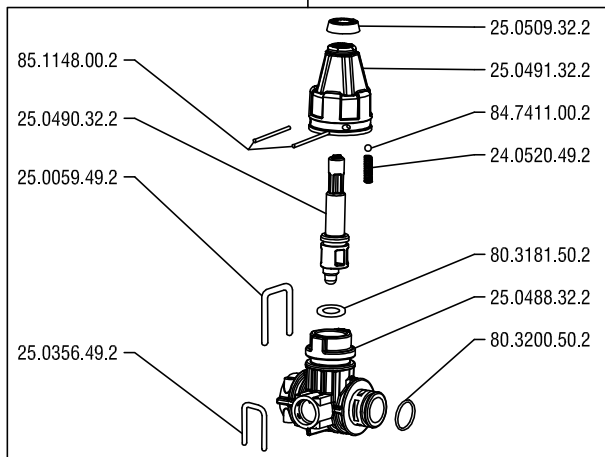


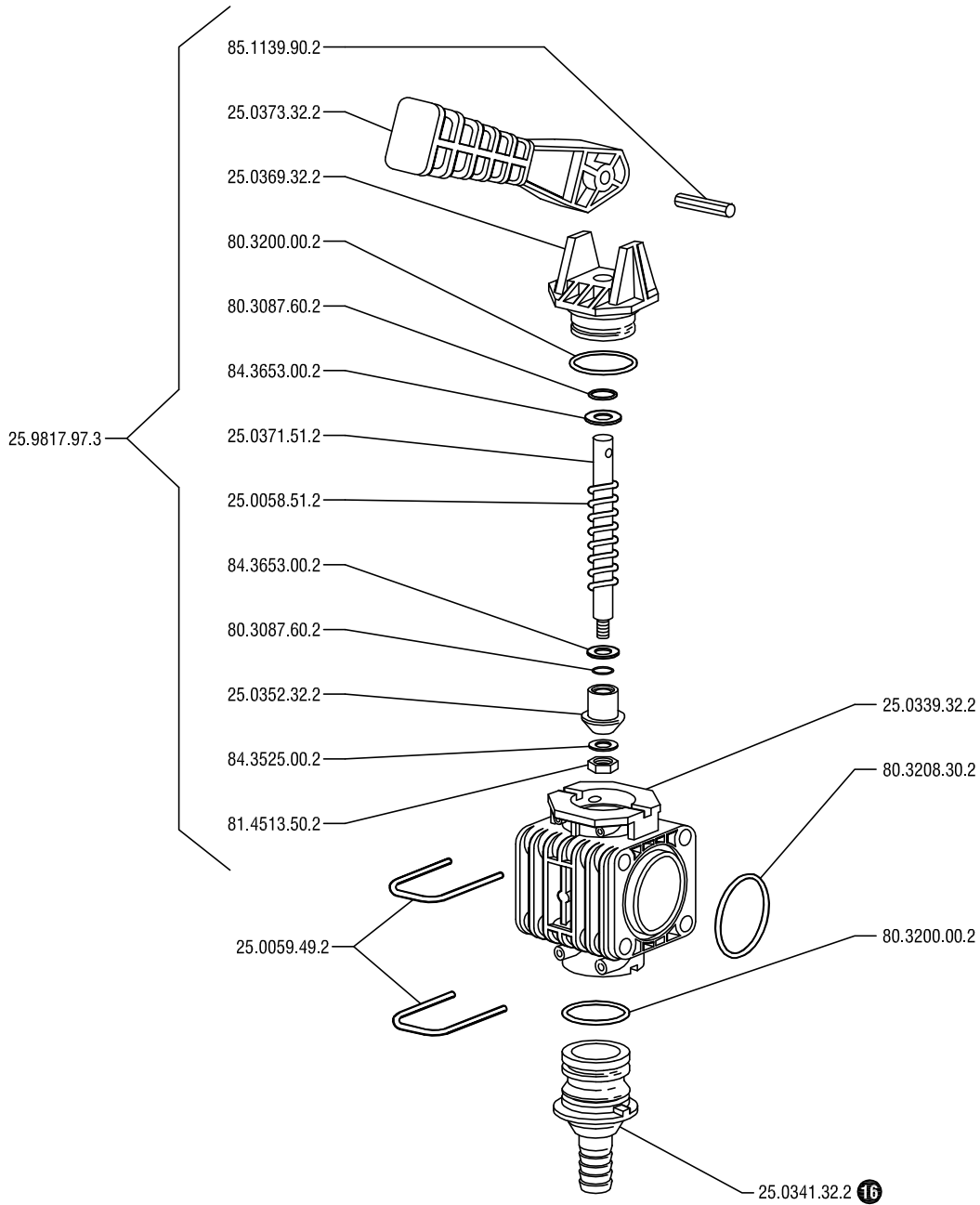
RS-RD motor powered valve

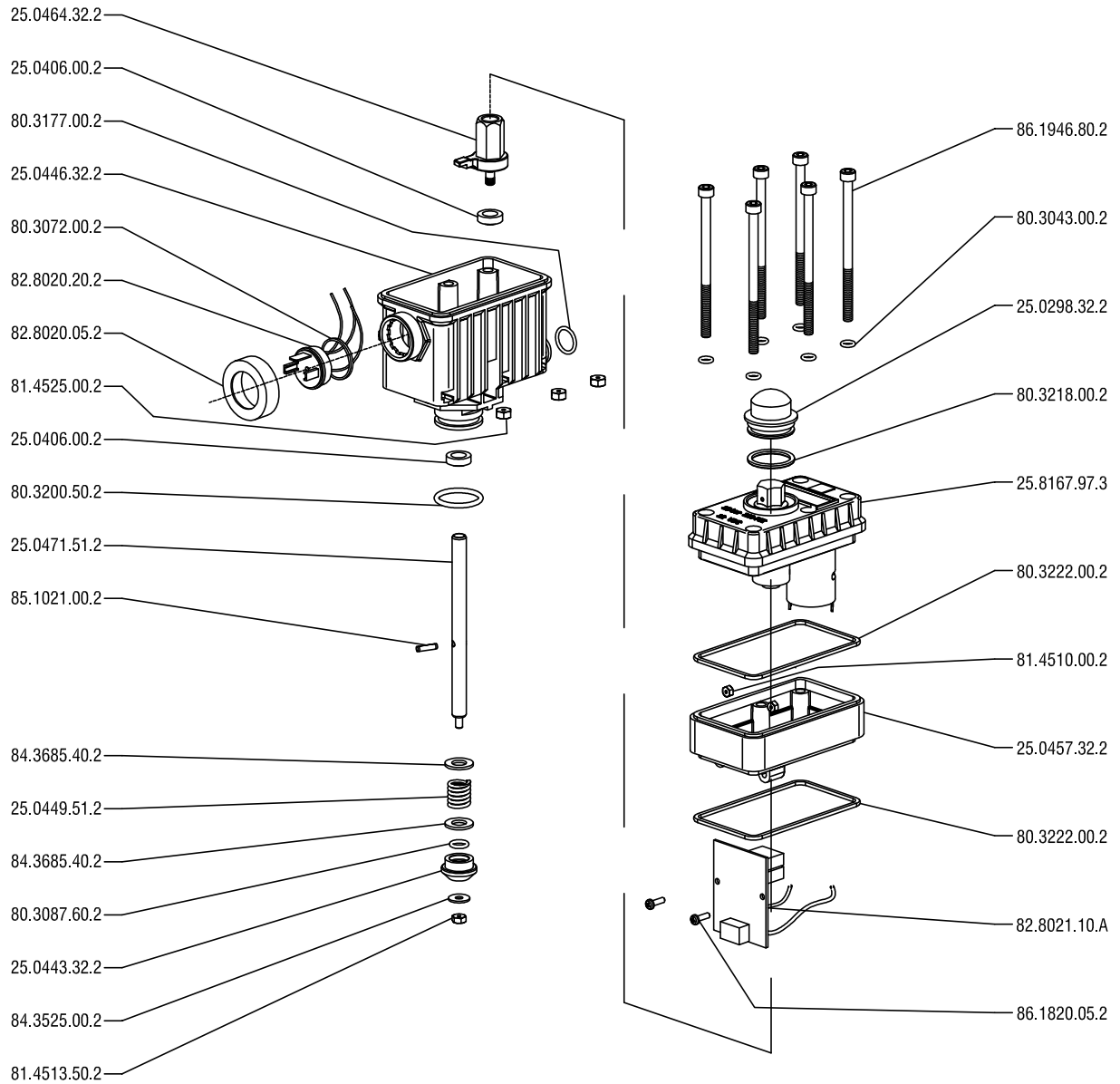
Use: **E1-E3**

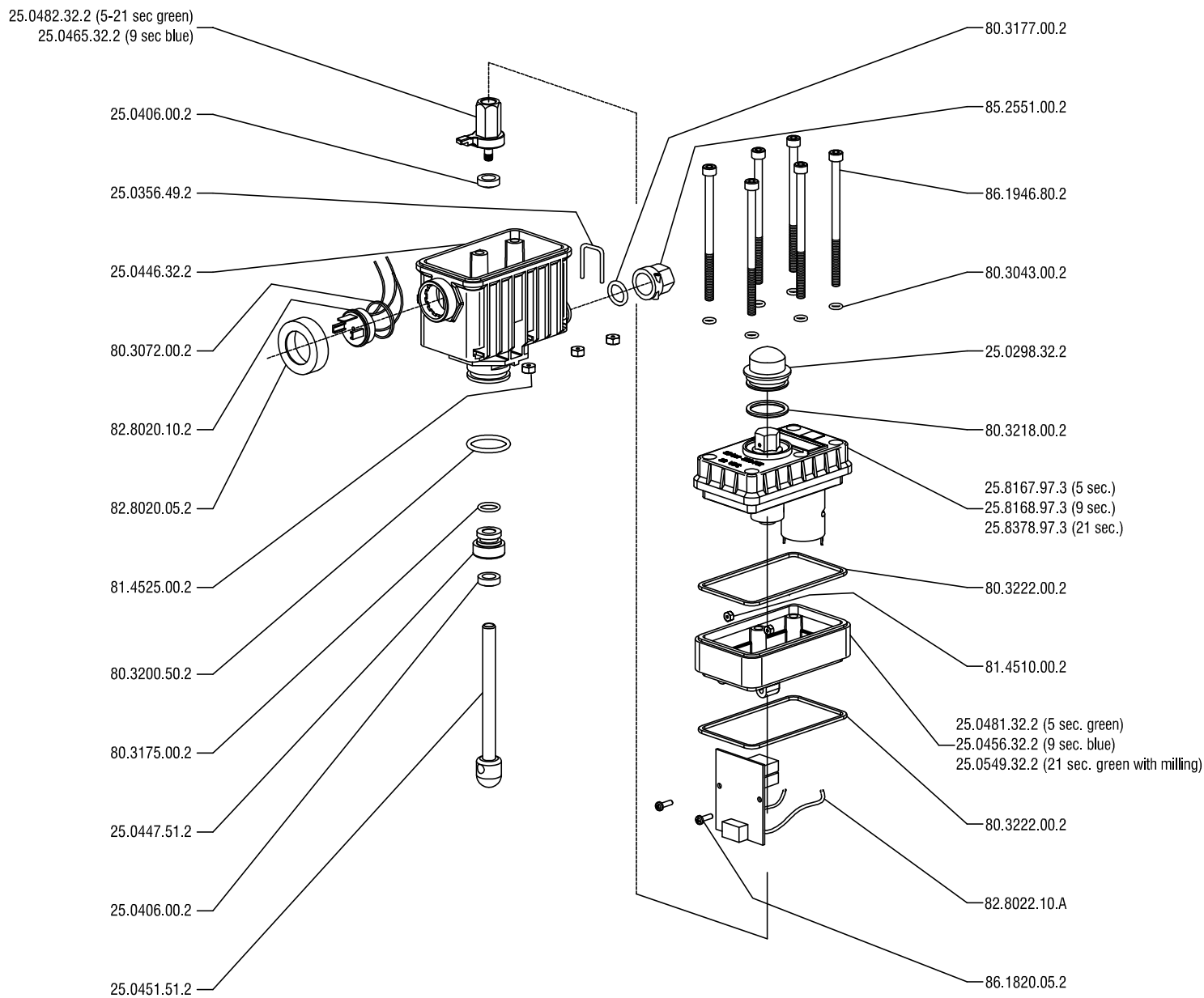
Kit by-pass intermedio
25.8216.97.3
Intermediate by-pass kit

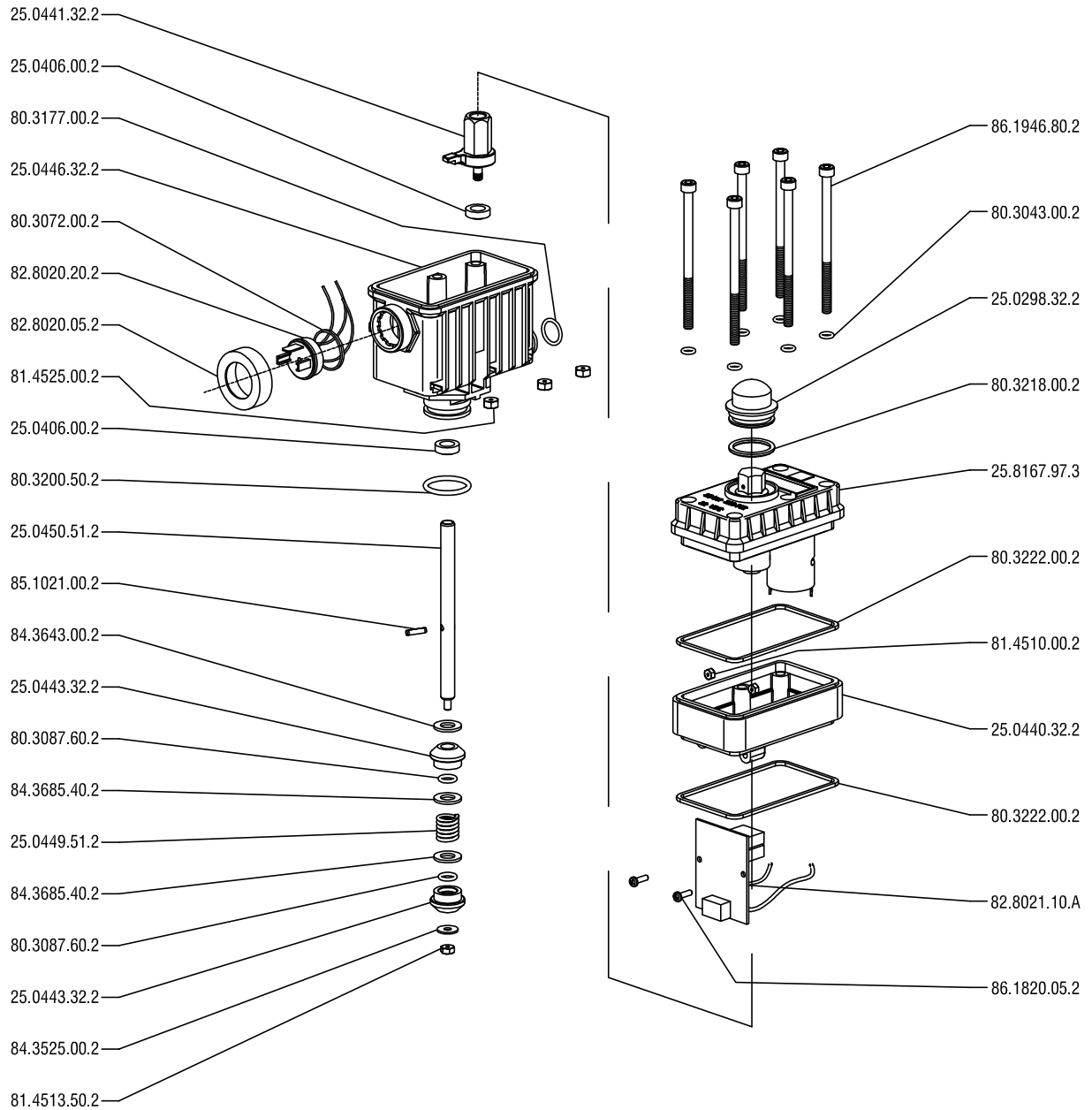
Kit by-pass terminale
25.8217.97.3
Terminal by-pass kit



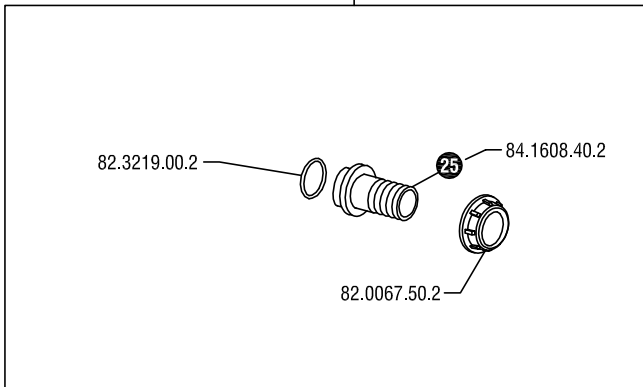




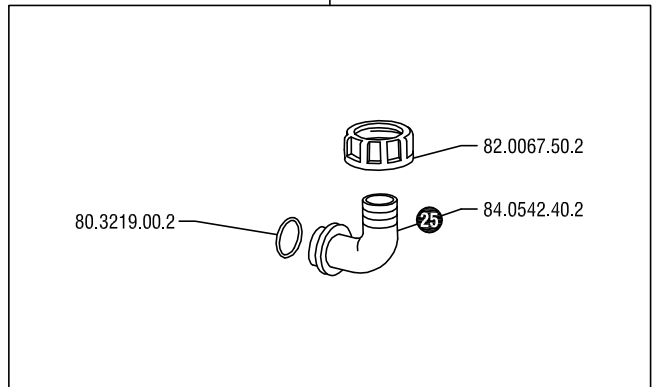




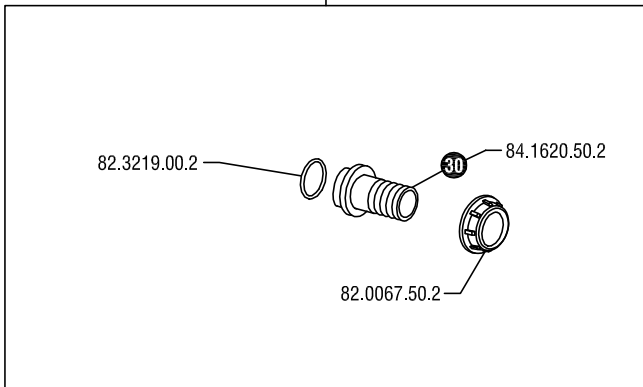
25.3047.97.3



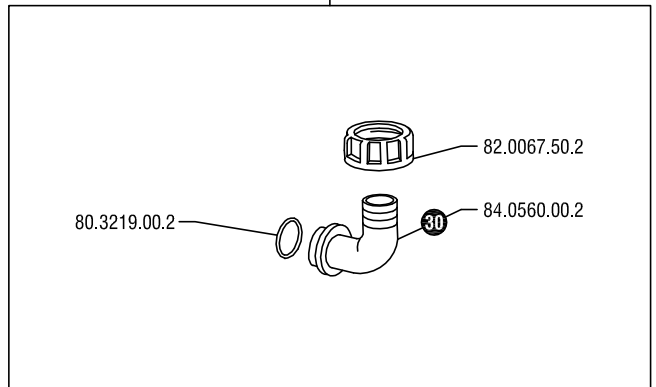
25.3045.97.3



25.3048.97.3



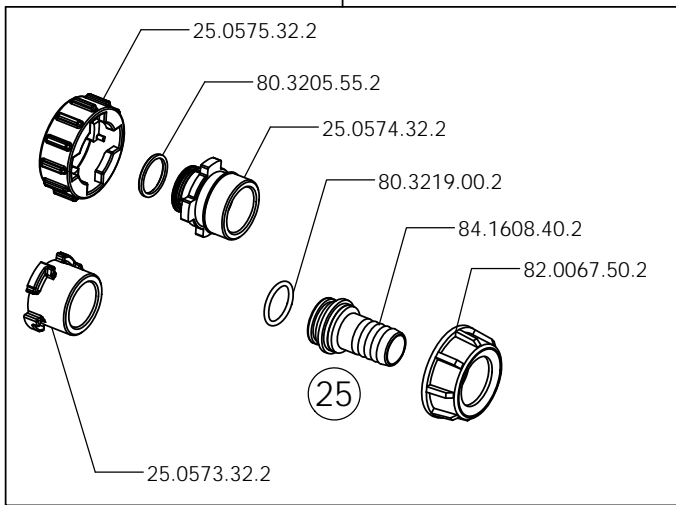
25.3046.97.3



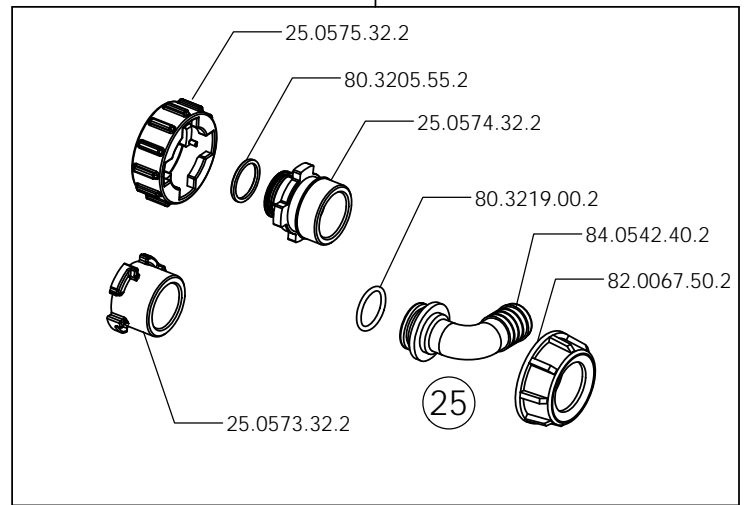
Outlet-inlet kits (RF)

Use: **E2-E3**

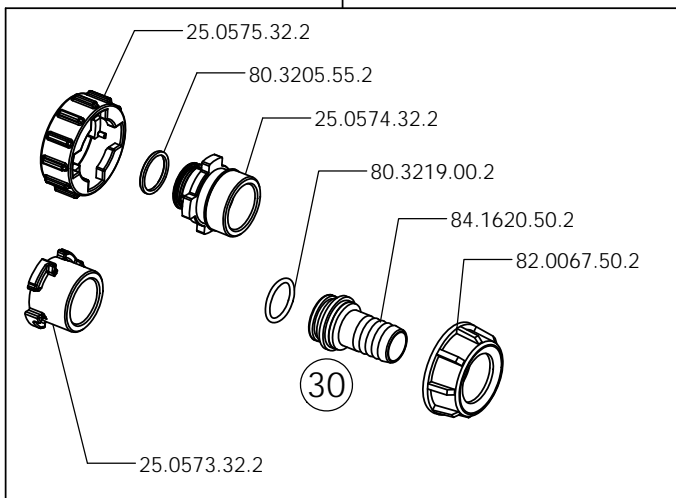
25.3047.97.3RFM



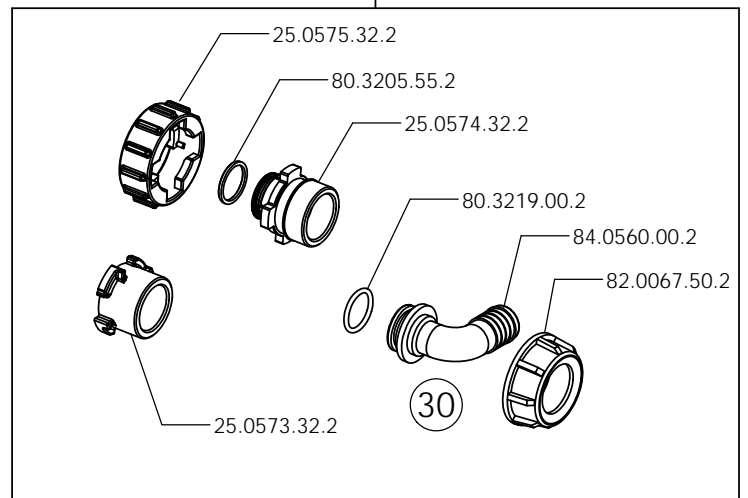
25.3045.97.3RFM



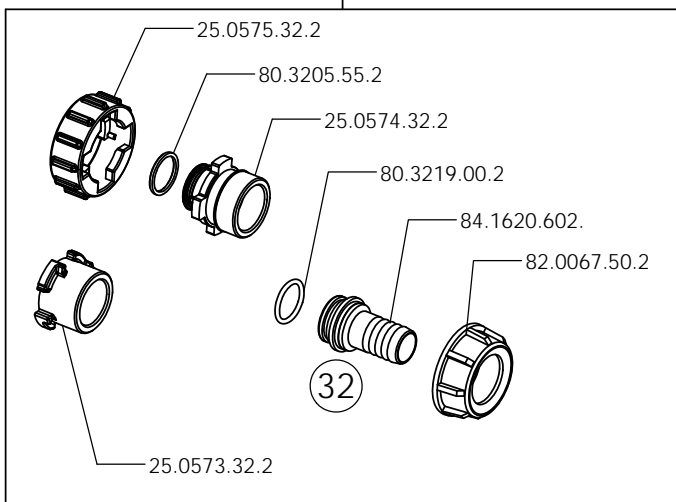
25.3048.97.3RFM



25.3046.97.3RFM



24.5342.97.3RFM



24.5381.97.3RFM

